

Main Features:-

- ◆ Bi-Directional Knife Gate Valve
- ◆ Manually Operated With Hand Wheel
- ◆ Wafer Threaded, PN10
- ◆ No Retention Zone
- ◆ Through Conduit Valve

*Temperature and pressure determined by valve body, seat etc.

Suitable Applications & Approvals:



WASTE



INDUSTRY



CERTIFIED



SERIES: 43023

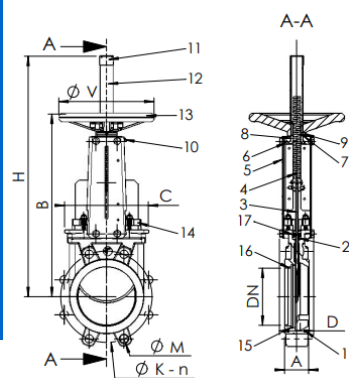
MANUFACTURER: **Tecofi**
VALVE DESIGNER - FRANCE

VALVE DIMENSIONS

DN	SIZE	A	B	C min	C max	D	ØV	H	ØK	ØM	Kg	APPLICATION:
50	2"	40	283	162	221	150	200	348	125	4xM16	13	The Tecofi knife gate valve can typically be used for the following applications; <ul style="list-style-type: none"> • Pulp and Paper • Water • Water Treatment • Biogas • Chemical • Powder • Slurry and Waste • Mining
65	2 1/2"	40	308	190	264	168	200	388	145	4xM16	15	
80	3"	50	333	216	297	184	200	413	160	8xM16	19	
100	4"	50	378	245	354	205	200	488	180	8xM16	23	
125	5"	50	423	289	430	220	250	564	210	8xM16	29	
150	6"	60	474	330	530	240	250	635	240	8xM20	38	
200	8"	60	593	410	641	295	310	809	295	8xM20	65	
250	10"	70	685	486	772	355	310	946	350	12xM20	100	
300	12"	70	792	582	882	410	310	1118	400	12xM20	122	
350	14"	96	900	654	1043	NC	500	1282	460	16xM20	163	
400	16"	100	978	731	1168	NC	500	1441	515	16xM24	235	
450	18"	106	1105	809	1296	NC	500	1587	565	20xM24	368	
500	20"	110	1215	916	1454	NC	500	1809	620	20xM24	471	
600	24"	110	1418	1066	1706	NC	500	2060	725	20xM27	532	
700	28"	110	1640	1236	1981	NC	800	2372	840	24xM27	936	

DIMENSIONAL DRAWING

No	Description	Material	No	Description	Material
1	Body	EN-GJL-250	10	Stem	Stainless Steel
2	Second Body	EN-GJL-250	11	Position Indicator	SS 304
3	Packing	Tallowed Cotton	12	Nut Support	Zinc Steel
4	O'Ring	Nitrile	13	Greaser	Stainless Steel
5	Support Ring	SS 316	14	Handwheel	Cast Iron
6	Gasket	Nitrile	15	Protection Tube	Steel
7	Knife Gate	X5CrNi 18-10	16	Cap	Plastic
8	Packing Gland	Aluminium	17	Stop Screw	Stainless Steel
9	Support Plate	Steel + Epoxy	18	Friction Washer	Bronze



T +44 (0)1386 552369

E sales@allvalves.co.uk

W www.allvalves.co.uk

F +44 (0)1386 554227



MANUFACTURER: **Tecofi**
VALVE DESIGNER - FRANCE

SERIES: 43023

DN	Max Working Pressure	TECOFI
DN50-250	10 Bar	<p>The company is based in Lyon for 30 years. French manufacturer of industrial valves, that carry out the design, manufacture and marketing of a complete range of valves for all types of industries. Tecofi are one of the major players in the field of water, climate engineering, paper, chemical, steel and energy industry.</p>
DN300-400	6 Bar	
DN450-600	3.5 Bar	
DN700	2.5 Bar	

TEMPERATURE AND PRESSURE

ALL VALVES ONLINE

Offering a full range of actuated valve packages, manual valve range, pipe fittings and pumps, we have a product for all your requirements. As an ISO 9001-2015 Quality Approved and certified company, All Valves offer a quality service from pre-sale to post sale. Shipping millions of pounds in value of manual valve and actuated valve packages all over the world since its formation, All Valves are a trusted valve and actuator supplier to many companies all over the world. Working with the leading brands in most industries.



T +44 (0)1386 552369

E sales@allvalves.co.uk

W www.allvalves.co.uk

F +44 (0)1386 554227